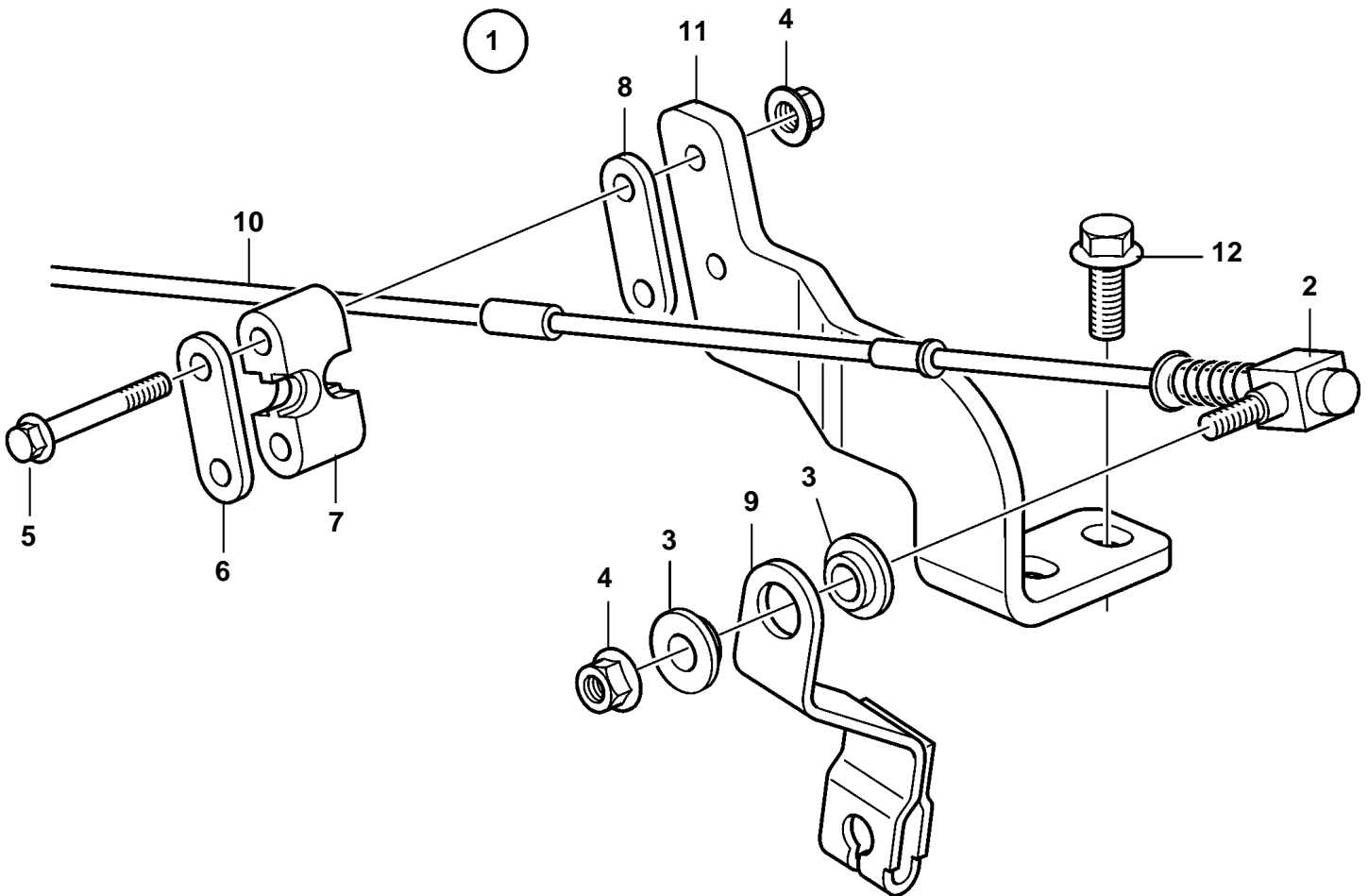


D1-20A, D1-20B



24191

D1-20A, D1-20B

| REF | PART NO. | QTY | DESCRIPTION | SEE SEC. |
|-----|----------|-----|------------------------|----------|
| 1 | 3841287 | 1 | Connector kit | |
| 2 | 840692 | 1 | · Cube | |
| 3 | 843105 | 2 | · Spacer washer | |
| 4 | 949874 | 3 | · Flange lock nut | |
| 5 | 969439 | 2 | · 6 point socket screw | |
| 6 | 819068 | 1 | · Washer | |
| 7 | 872074 | 1 | · Retainer | |
| 8 | 872076 | 1 | · Washer | |
| 9 | 3580036 | 1 | Intermediate lever | |
| 10 | | 1 | Control cable | 231 |
| 11 | 3817482 | 1 | Bracket | |
| 12 | 946440 | 2 | Flange screw | |